



LB 115.B

LB 110.B

LB 95.B

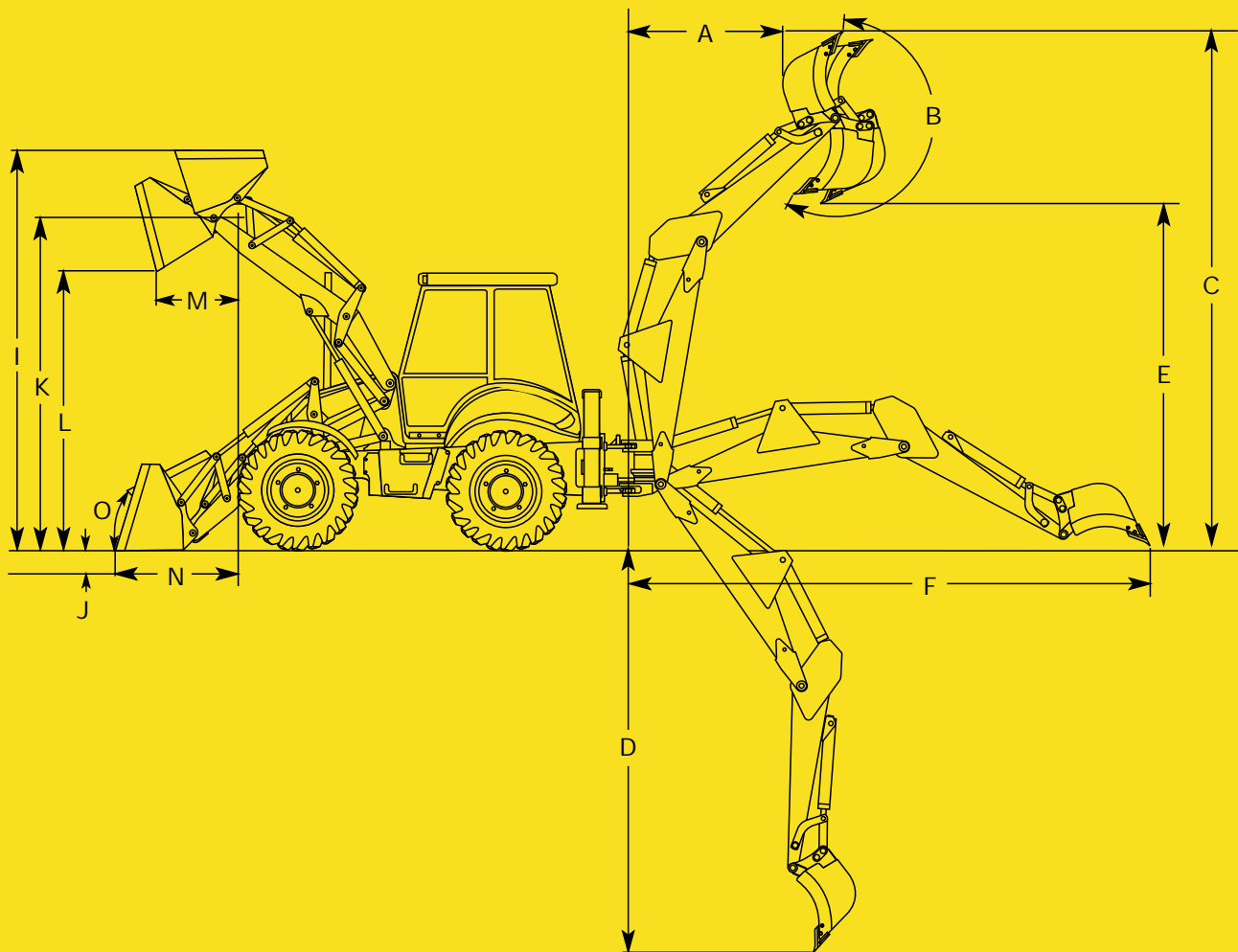
# LB BACKHOE LOADERS



**NEW HOLLAND**  
**CONSTRUCTION**

[www.newhollandconstruction.com](http://www.newhollandconstruction.com)

**The New Power**



**LB95.B/LB110.B LB115.B**

**LB95.B/LB110.B LB115.B**

**LOADER SPECIFICATIONS (6 in 1 bucket)**

<b>I</b> Maximum operating height (mm) .....	4324 .....	4347 .....
<b>J</b> Below ground dig depth (mm) .....	60 .....	84 .....
<b>K</b> Hinge pin height (mm) .....	3530 .....	3480 .....
<b>L</b> Dump height (mm) .....	2790 .....	2740 .....
<b>M</b> Reach at full height dumped (mm) .....	820 .....	812 .....
<b>N</b> Reach at ground level (mm) .....	1449 .....	1340 .....
<b>O</b> Bucket roll back on ground .....	40° .....	45° .....
Maximum loader breakout force (daN) .....	6296 .....	7400 .....
Lift capacity to maximum height (kg) .....	3550 .....	3500 .....

**LOADER BUCKET (6 in 1)**

Capacity (l) .....	1000 .....	1200 .....
Weight (kg) .....	600 .....	695 .....
Weight with forks (kg) .....	745 .....	840 .....
Cutting edge width (mm) .....	2250 .....	2400 .....

**LOADER BUCKET (standard)**

Capacity (l) .....	1000 .....	1200 .....
Weight (kg) .....	440 .....	440 .....
Weight with forks (kg) .....	568 .....	658 .....
Cutting edge width (mm) .....	2250 .....	2400 .....

**BACKHOE SPECIFICATIONS** .....STD / HED .....STD / HED .....

<b>A</b> Loading reach at max height (mm) .....	2350 / 2870 .....	2350 / 2870 .....
<b>B</b> Bucket rotation (°) .....	160, 204 .....	160, 204 .....
<b>C</b> Maximum height (mm) .....	5785 / 6470 .....	5807 / 6492 .....
<b>D</b> Maximum dig depth (mm) (SAE) .....	4615 / 5800 .....	4593 / 5778 .....
<b>D</b> Maximum dig (mm) (MAX) .....	4950 / 6115 .....	4928 / 6093 .....
<b>E</b> Maximum dump height (mm) .....	3950 / 4640 .....	3972 / 4662 .....
<b>F</b> Maximum reach (mm) .....	5880 / 6950 .....	5880 / 6950 .....
Maximum lift capacity ISO (kg) .....	2100 / 1440 .....	2100 / 1440 .....

**BREAKOUT FORCE** .....Retracted / Extended .....

Bucket cylinder (daN) .....	6400 / 6400 .....
Dipper cylinder (daN) .....	4620 / 3200 .....

**BACKHOE BUCKET SPECIFICATIONS**

Width (mm) .....	305, 457, 610, 762, 914 .....
Capacity (l) .....	80, 120, 175, 243, 302 .....
Weight (kg) .....	117, 141, 161, 185, 208 .....

## INCREASED PERFORMANCE. INCREASED PRODUCTIVITY.

The latest LB B-series backhoe loaders, with their latest generation, Tier 2 emissions-compliant engines, provide increased performance and increased productivity. Add to that their ease of servicing and reduced service intervals and it all adds up to a better return on your investment.

### More Power

For greater, all-round, productivity.

### Increased Torque

For increased pushing power, loader output and climbing performance.

### Environmentally Friendly

Low emissions, coupled with quieter operation make them particularly suited to working in urban and populated areas.

### Improved Serviceability

Main service access points are grouped on the left-hand side of the machine and colour coded for easy identification of the main service areas.

### Plus...

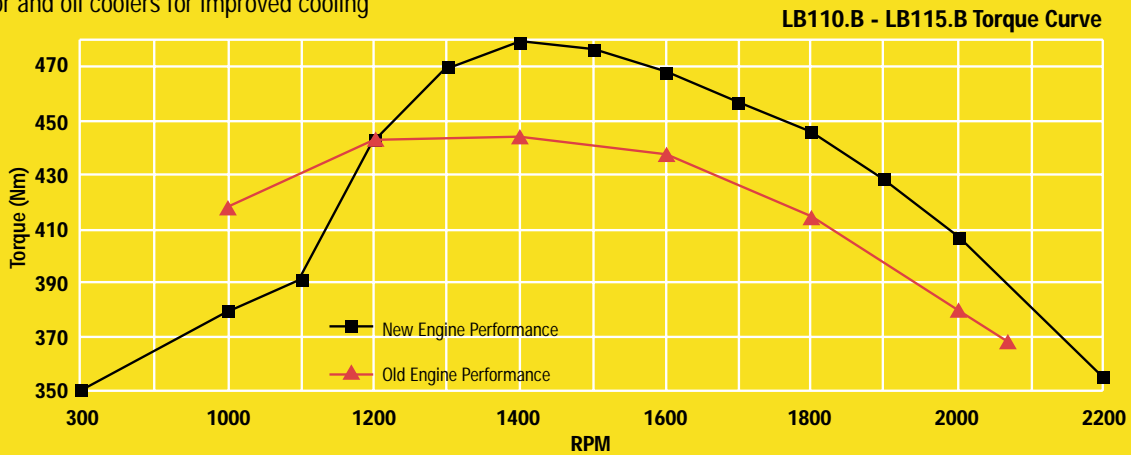
Extended oil change intervals

Automatic belt tensioner

Integral water pump with fewer parts

New piston and ring configuration for improved oil control

In-line radiator and oil coolers for improved cooling



**LB95.B**

**LB110.B**

**LB115.B**

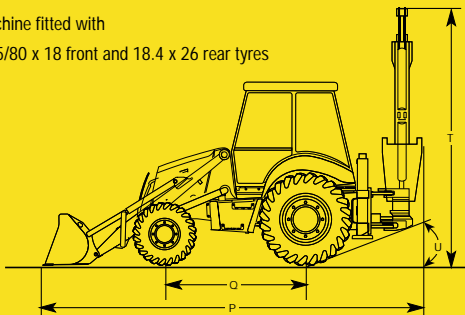
### ENGINE

Model	F4GE0454C*D	F4GE0484G*D	F4GE0484G*D
Displacement / Cylinders (l/n°)	4.5/4	4.5/4	4.5/4
Bore size (mm)	104	104	104
Stroke (mm)	132	132	132
Rated speed (rpm)	2200	2200	2200
Aspiration	Turbocharged	Turbocharged-intercooled	Turbocharged-intercooled
Engine power ISO TR 14396 (kW/hp)	71/95	82/110	82/110
Compression ratio	17.5:1	17.5:1	17.5:1
Engine speed at maximum torque (rpm)	1400	1400	1400
Maximum torque ISO TR 14396 (Nm/lb.ft)	400 / 294	480 / 354	480 / 354

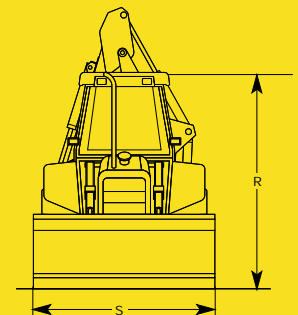
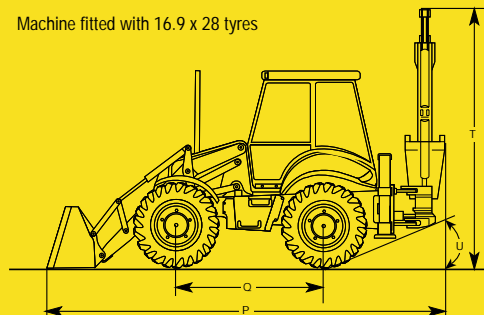
### OVERALL DIMENSIONS

<b>P</b> Transport length (mm)	5690	5745
<b>Q</b> Wheelbase (mm)	2175	2200
<b>R</b> Height to top of cab (mm)	2880	2900
<b>S</b> Overall width (mm)	2430	2480
<b>T</b> Backhoe transport height (mm)	3890	3980
<b>U</b> Departure angle (°)	23	22

Machine fitted with  
12.5/80 x 18 front and 18.4 x 26 rear tyres



Machine fitted with 16.9 x 28 tyres





**BACKHOE LOADERS**



**TELEHANDLERS**



**SKID-STEER LOADERS**



**MINI-EXCAVATORS**

**YOUR NEW HOLLAND CONSTRUCTION EQUIPMENT DEALER**

**New Holland Construction shifts into a higher gear, bringing extraordinary global manufacturing resources and product support systems to the market. With the products, people and determination to be the major player in the light construction equipment industry, few companies can lead their customers into the future with the same guarantee of success.**

Specifications shown in this brochure may vary from country to country according to local requirements and regulations. Photos may depict standard or optional equipment according to local market specifications. Models and specifications shown may be subject to change by the manufacturer without prior notification and without incurring any obligation resulting from such modifications.  
Leader - Printed in Italy - 04/03 - Cod. 24001/LD/INB

**NEW HOLLAND CONSTRUCTION, Via Botticelli, 151 - 10154 Turin - Italy**



**NEW HOLLAND  
CONSTRUCTION**

**The New Power**